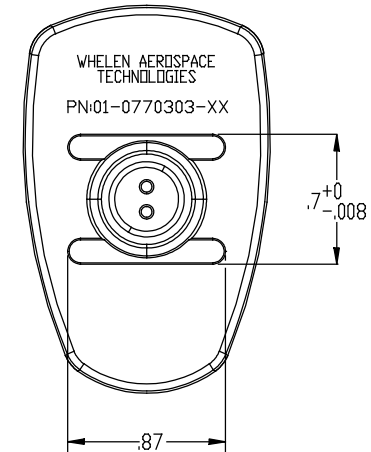
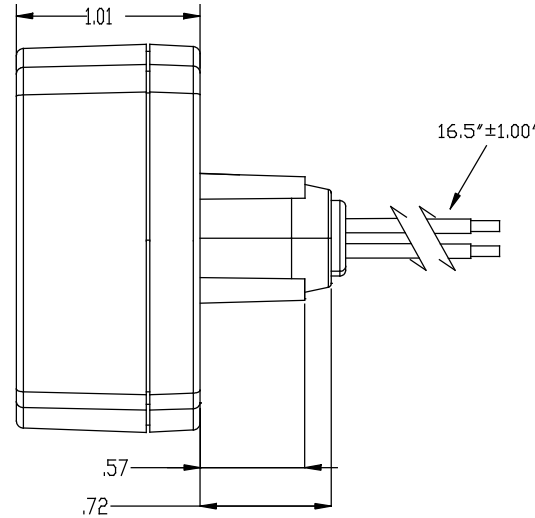
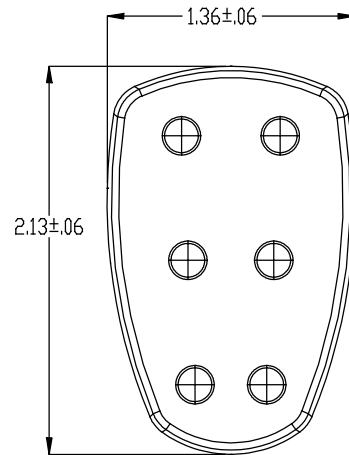



REV	ECN	DESCRIPTION	DATE
F	7226	REVISED & REDRAWN	2/4/91
G	8002	CHG. 28V MODEL	7/15/92
H	10250	ADDED PINS & VIEW SHOWING WIRES BENT @ 90°	2/25/94
J	21550	CHG REFLECTOR & ADDED LAMP	3/17/99
K	22462	MISC. REVISIONS SEE ECN	10/14/99
L	23173	ADD TEFLON SPACER	5/4/00
M	23636	ADD -01 LAMP ASSY	10/9/00
N	25827	ADDED NOTE 2	7/01/02
P	62131	ADDED -10 & -20	3/14/23



NOTES:

- SPECIFICATIONS:
 14VDC MODEL - OPERATING VOLTAGE: 9V TO 16VDC
 CURRENT: 0.20 A MAX, 0.17 A AVG.
 28VDC MODEL - OPERATING VOLTAGE: 18V TO 32VDC
 CURRENT: 0.11 A MAX, 0.085 A AVG.
 LIGHT OUTPUT COLOR: WHITE LED
 CONNECTION: FLYING LEADS, 18 AWG, NON-POLARIZED
- MATERIAL:
 HOUSING: DIE CAST ALUMINUM
 LENS: POLYCARBONATE
- FINISH:
 HOUSING: ED COATING, BLACK
- THE LED PART NUMBERS ARE DIRECT REPLACEMENT FOR THE LEGACY FILAMENT PRODUCTS.

NOTE USE PRODUCT VOLTAGE SPECIFIC TO THE AIRCRAFT.

1	-	34-2372165-20	LAMP, LED RECOGNITION LT 28V		
-	1	34-2372165-10	LAMP, LED RECOGNITION LT 14V		
*		01-0770303-20	ASS'Y, WINGTIP/REC/TAXI LT, LED 28V		
	*	01-0770303-10	ASS'Y, WINGTIP/REC/TAXI LT, LED 14V		
QTY	ITEM	PART NUMBER	DESCRIPTION		
THIS DRAWING IS PROPRIETARY TO WHELEN AEROSPACE TECHNOLOGIES, ANY REPRODUCTION, DISCLOSURE, OR USE OF THIS DRAWING WITHOUT WRITTEN AUTHORIZATION FROM WHELEN AEROSPACE TECHNOLOGIES IS PROHIBITED			 <small>WHELEN AEROSPACE TECHNOLOGIES 31 WINGTIP ROAD CHESTER, CT 06412-0684 TELEPHONE 0860269-9284</small>		
MATERIAL			WINGTIP LIGHT, RECOGNITION & TAXI LIGHT ASSEMBLY		
FINISH					
TOLERANCE UNLESS OTHERWISE SPECIFIED		DR. KER	SCALE	DATE	RELEASE DATE
.XX ± .030 .XXX# .015		CH. HEA	2:1 U.S.	3/14/23	3/14/23
ANGLES ±1/2°		ENG. KER	DWG. NO.	REV	ISSUE
? 2023 WHELEN AEROSPACE TECHNOLOGIES		APP. TAN	C	70303	P
CAGE CODE 10402					SHEET 2 OF 2