



WHELEN AEROSPACE TECHNOLOGIES

Phone: (860) 526-9504
Fax: (860) 526-2009
Internet: www.flyWAT.com
Sales/Service e-mail: info@flyWAT.com

**Installation Guide/ICA:
90377()-series
Models 9037701 - 9037704
P/N: 01-0790377-01 through -04
LED Position Light Assembly**

*TSO-C30c
TYPE I, II & III
APPROVED*

The conditions and tests required for TSO approval of this article are minimum performance standards. Those installing this article either on or within a specific type or class of aircraft must determine that the aircraft installation conditions are within the TSO standards which include any accepted integrated non-TSO functions. TSO articles and any accepted integrated non-TSO function(s) must have separate approval for installation in an aircraft. The article may be installed only according to 14 CFR part 43 or the applicable airworthiness requirements.

POSITION LIGHT:

Operational Voltage: 14/28 VDC (nominal)
Input Current: 0.5 / 0.25 Amps

EQUIPMENT LIMITATIONS: An approved position lighting system consists of two lights, one located on each wingtip. The baseplate must be mounted parallel to the vertical and horizontal centerlines of the aircraft to project the patterns properly.

Certain types of installations may require additional testing.

AIRWORTHINESS LIMITATIONS: The Airworthiness Limitations section is FAA approved and specifies inspections and other maintenance required under §43.16 and §91.403 of the Federal Aviation Regulations, unless an alternative program has been approved.

No airworthiness limitations are associated with the installation of the light assembly.

CONTINUED AIRWORTHINESS: The forward position light is designed with 3 green or 4 red LEDs. The tail position light is designed with 2 white LEDs. If any one LED fails, the unit must be repaired or replaced.

NOTE: To reduce eye strain, use an optical filter such as dark glasses or a blue covering dome during LED inspection.

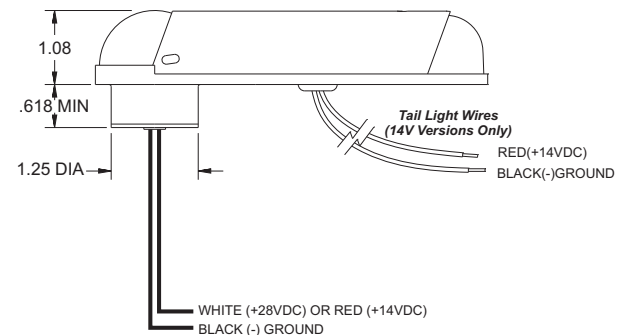
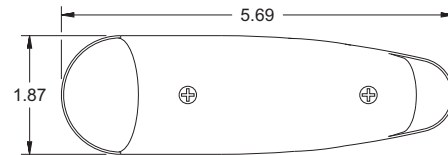
Inspect the lens. Replace if there is excessive scratching, discoloration or cracking. For additional lens maintenance detail, see SAE ARP5637.

PERIODIC INSPECTIONS: An annual inspection shall be performed unless the OEM specifies a shorter interval.

INSTALLATION PROCEDURES: The following information is to assist in installing a WAT Light System.

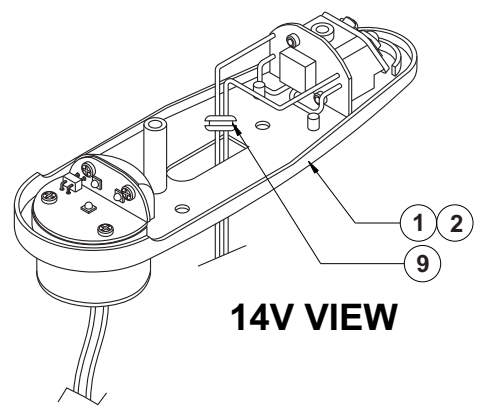
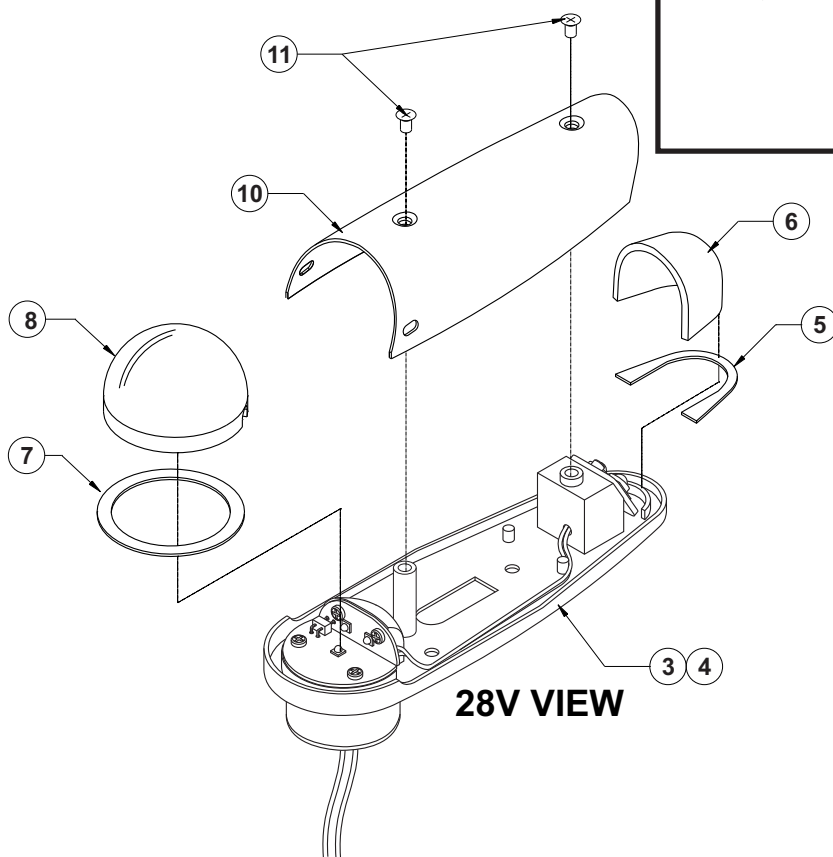
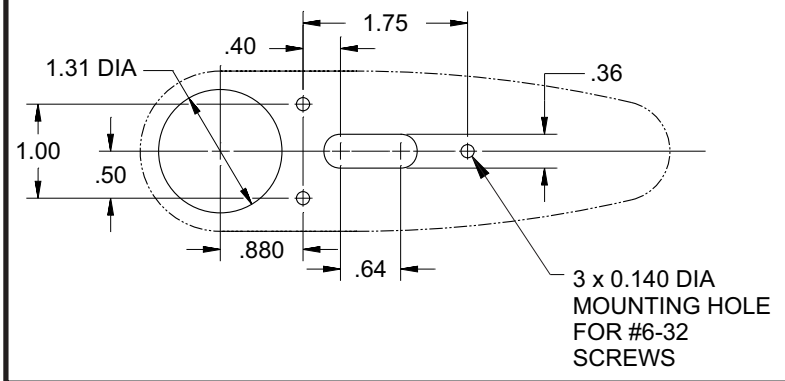
1. Choose the appropriate light assembly.
2. Using the mounting detail information provided, prepare the aircraft for means to secure the light assembly.
3. Connect the light inputs according to the chart shown. Connect the power lead to an appropriately sized breaker. Connections to be in accordance with FAA approved methods.

4. Carefully remove the Lens Retainer and Lenses from the light assembly. **CAUTION!** Do not touch the LEDs with either fingers or sharp objects. This could soil or damage the LEDs and effect the optical performance of the light.
5. Using the appropriate hardware, install the baseplate to the aircraft. Insure that all leads are clear of any obstructions and secured as required.
6. Reinstall lenses and retainer. Note: install the front lens so that the two notches are positioned under the shroud, with each notch equidistant to the centerline. Confirm proper gasket fit. Reinsert screws and tighten firmly.
7. Check all avionics systems for interference from the installation.
8. A flight check should be performed by a properly certified pilot.
9. If required, update aircraft records utilizing FAA Field Approval (Form 337) or equivalent.



Aviation

MOUNTING DIMENSIONS



QTY.	QTY.	QTY.	QTY.	ITEM	PART NUMBER	DESCRIPTION
		*			01-0790377-01	MODEL 9037701 FINAL ASSY (14V GRN) 6"
		*			01-0790377-02	MODEL 9037702 FINAL ASSY (14V RED) 6"
	*				01-0790377-03	MODEL 9037703 FINAL ASSY (28V GRN) 6"
	*				01-0790377-04	MODEL 9037704 FINAL ASSY (28V RED) 6"
-	-	-	1	1		ASS'Y, POS LT GRN (14V)
-	-	1	-	2		ASS'Y, POS LT RED (14V)
-	1	-	-	3		ASS'Y, POS LT GRN (28V)
1	-	-	-	4		ASS'Y, POS LT RED (28V)
1	1	1	1	5	38-0250901-00	GASKET, TAIL POSITION LIGHT MODEL 90340
1	1	1	1	6	68-3950903A30	LENS, CLEAR TAIL POSITION LT HARDCOAT
1	1	1	1	7	38-0230021-01	GASKET, POSITION LIGHT SPLIT
1	1	1	1	8	68-3950902A30	LENS, CLEAR FWD POSITION LIGHT
-	-	1	1	9	21-11091202-0	GROMMET, 3/8 #905
1	1	1	1	10	19-170050-010	RETAINER
2	2	2	2	11	14-0050508-27	SCREW, 6-32 5/16 PFHMS CSNK MS51959-27