



Installation Instructions

Pulsar Series (Certified)



AeroLEDs, LLC
 8475 W. Elisa St.
 Boise, ID, 83709
 208-850-3294

NOTE: A printed copy of this document may not be the latest revision. It is the responsibility of the user to ensure that the latest revision is used. The latest revision of this document may be printed from the AeroLEDs electronic document repository. Revision history follows on page 2

This document contains proprietary information of AeroLEDs. Neither receipt nor possession thereof confer any right to reproduce or use, or disclose, in whole or in part, any such information without written permission from AeroLEDs.

Approval	Name	Intent	
Author	Jennifer Blanchfield	Installation instructions for Certified Pulsar light assemblies (11-1100)	
Check	Nate Calvin		
Quality	Mark McCormack		
Date:	15 June 2020		
Status: Released	Typed signatures indicate approval. Handwritten, or electronic signature approval of this document is on file at AeroLEDs, Boise, Idaho.	Document Number 0011-0005	Revision D



REVISION RECORD

Rev	Description	Date	Author
D	Format, instruction, and image updates	06/15/2020	J. Blanchfield
C	Updated Photo and some format changes	12/17/2019	R. Prew
B	Updated to current Format	9/19/2019	R. Prew
A	Updated	09/19/2019	R. Prew
IR	Original Version	12/06/2016	D. Wilkinson

TABLE OF CONTENTS

1	System Description	4
2	Model Numbers	4
3	Instructions for Continued Airworthiness	4
4	Installation	5
4.1	Installation Procedures.....	5
4.2	Troubleshooting	5
5	Installation and Wiring Diagrams	6
5.1	Mounting Diagram.....	6
5.2	Bracket Reference	7
5.3	Wiring Diagram	7



1 System Description

The Pulsar N-Series LED lights offer the capability to have three functions in one unit: Navigation, Anti-Collision Strobe, and Position. These lights are designed for installation on any aircraft wingtip, aft stabilizer, or fuselage.

TSO-C30c TYPE I, II & III – APPROVED

TSO-C96a CLASS II – APPROVED

2 Model Numbers

Model	Part Number	Description	Voltage (V)	Current (Amps)			Power (W)	Weight (oz)
				Strobe		Nav		
				AVG	Peak			
Pulsar (12V) 11-1100-12	11-1100-12-L	Navigation, Position, Anti-collision	14	1.2	9.9	1.6	39.2	8
	11-1100-12-R							
Pulsar (24V) 11-1100-24	11-1100-24-L	Navigation, Position, Anti-collision	28	0.8	6.3	0.8	44.8	
	11-1100-24-R							

All listed specifications shown are per pair

3 Instructions for Continued Airworthiness

Pulsar light assemblies contains no user serviceable items. Should any LED fail, unit must be replaced.

Interval	Description
50 hr.	<ul style="list-style-type: none"> • Perform functional check on light(s) • Replace components as required
100 hr.	<ul style="list-style-type: none"> • Perform functional check on light(s) • Inspect for discoloration of lens • Inspect mounting for security • Inspect all connectors for good engagement • Inspect wiring for chaffing / defects • Replace components as required
Annually	--SAME AS 100 HOUR--

4 Installation

Consult **14CFR, §43.13-1B** for guidance on acceptable methods, techniques, and practices. Pulsar lights mount onto a supplied bracket, which mounts into existing holes on aircraft (see mounting diagram). For retrofit installation existing circuit breaker or fuse may typically be used. Procedures contained herein are not intended to conflict with procedures set forth by aircraft OEM, nor do they supersede FAA manuals and FAA regulations.

4.1 Installation Procedures

1. Reference airframe manufacturer's maintenance manual and remove light covers to gain access to lamp assembly(s) and bracket(s)
2. This procedure is for light pair installation. See wiring diagram provided.
3. Refer to aircraft manufacturer's service manual and/or illustrated parts catalog to identify light system installed in your aircraft. This will provide information on location of components and assembly details
4. Reference airframe manufacturer's current maintenance manual and install LED light(s) in brackets using retained hardware
5. Install suitable aircraft approved connectors or splices to connect light assemblies to wires routed from switch in accordance with wiring diagram(s).
6. Placard switches appropriately.
7. Verify proper operation of LED light(s), as appropriate to installation
8. Reinstall associated light hardware IAW aircraft maintenance manual
9. Record installation with appropriate logbook entry

4.2 Troubleshooting

1. Check for proper voltage at power input wire to light
2. Ensure light is adequately grounded
3. Check for continuity in wiring and connections
4. If wiring is verified, remove light and bench-check with appropriately sized power supply

5 Installation and Wiring Diagrams

5.1 Mounting Diagram

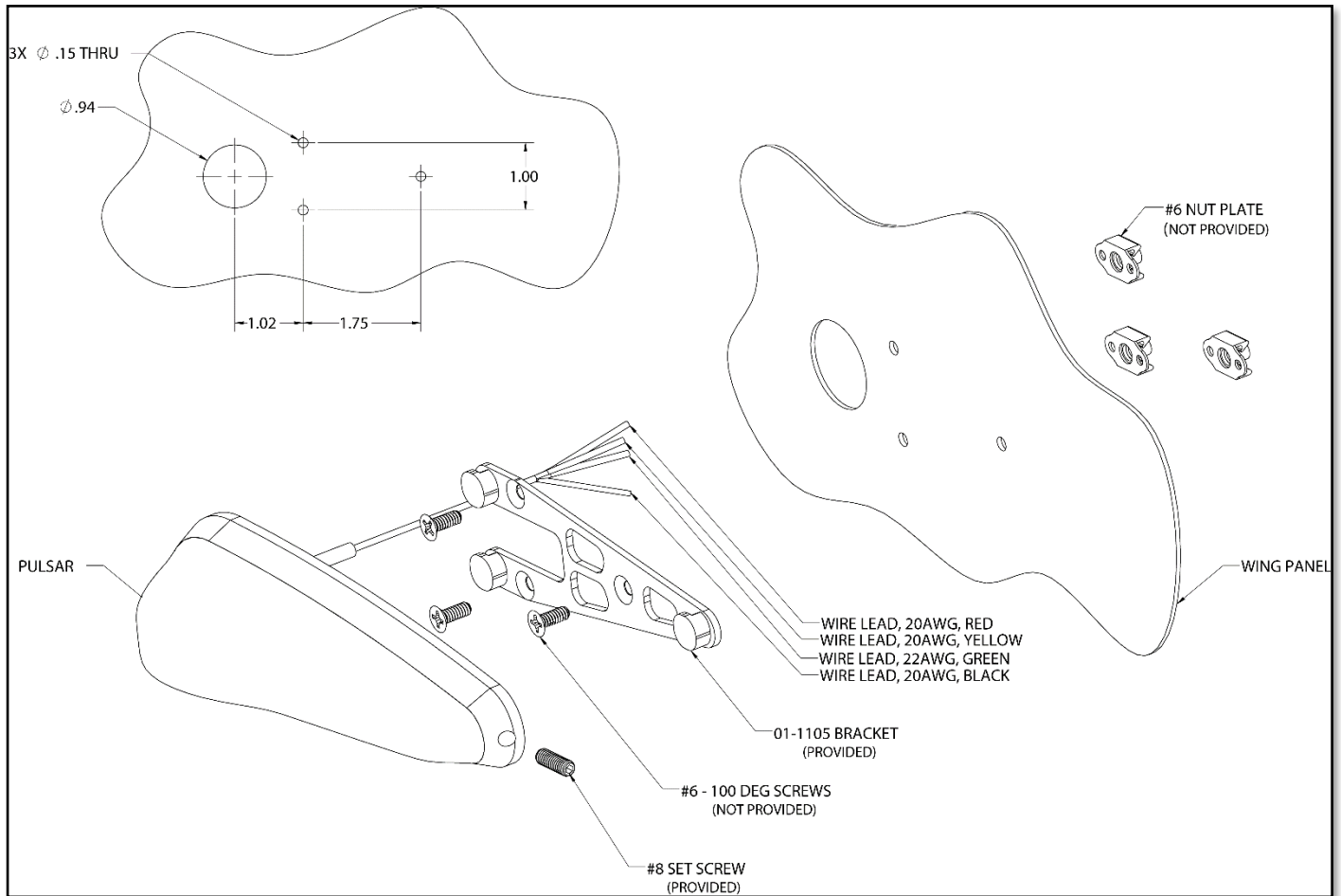


Photo 5-1

5.2 Bracket Reference

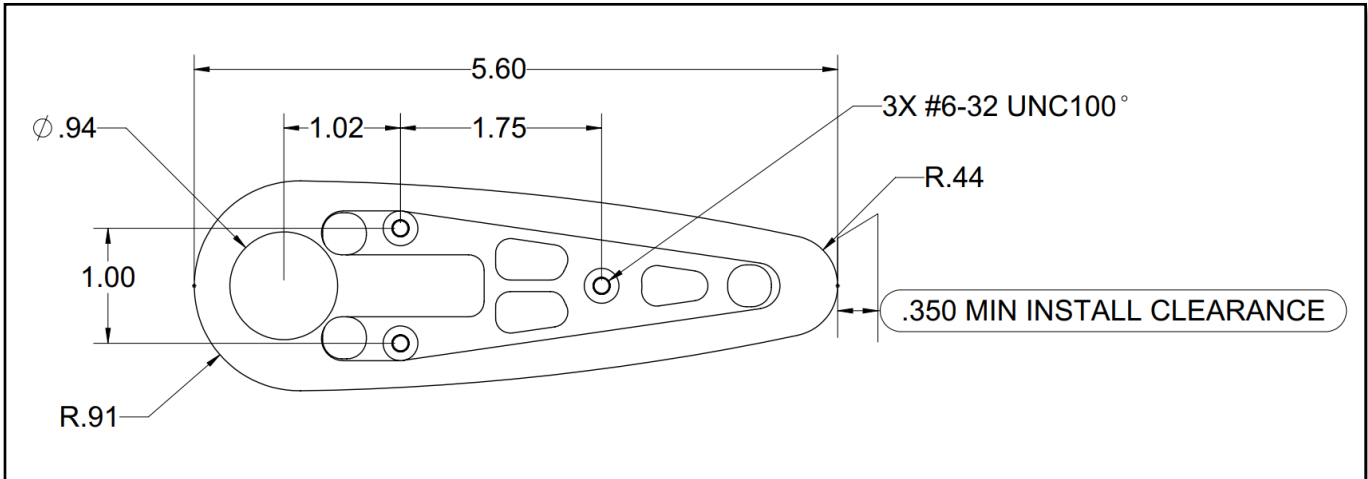


Photo 5-2

5.3 Wiring Diagram

WARNING: Do not connect strobe power wire to a Xenon strobe power pack. This will damage light and voids warranty.

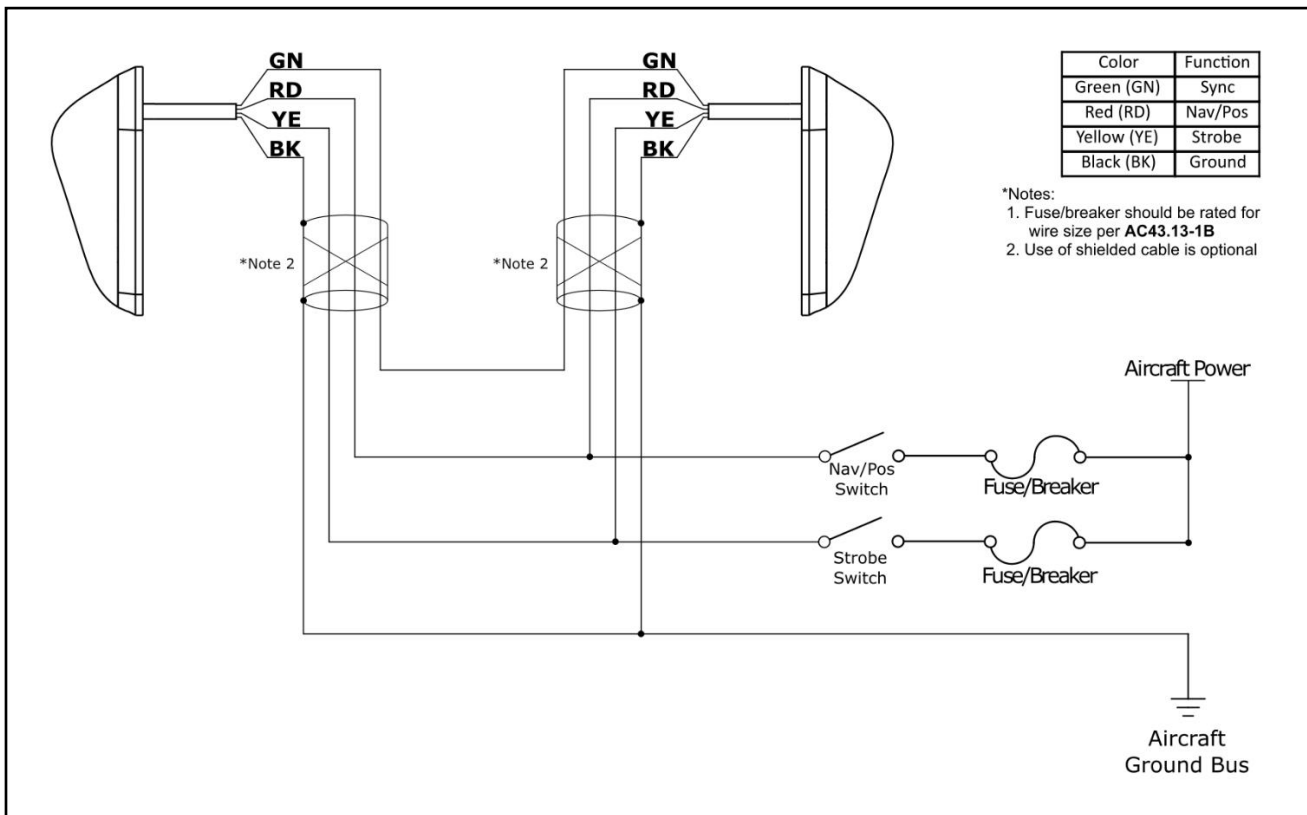


Photo 5-3